



UNIVERSAL
HANDLING EQUIPMENT

Front Loaders
Roll-Off Hoists
Hook-Lifts
Trailers
Luggers
Dump Box
Compactors
▶ Refuse Containers

Lugger Container

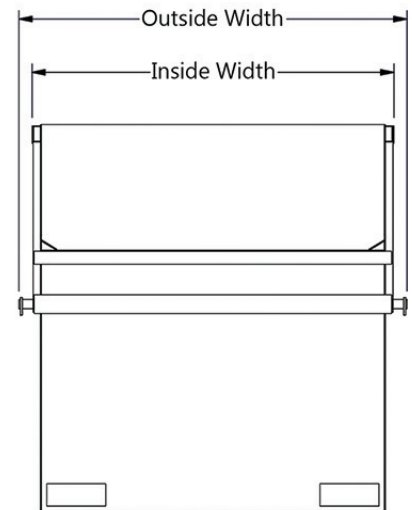
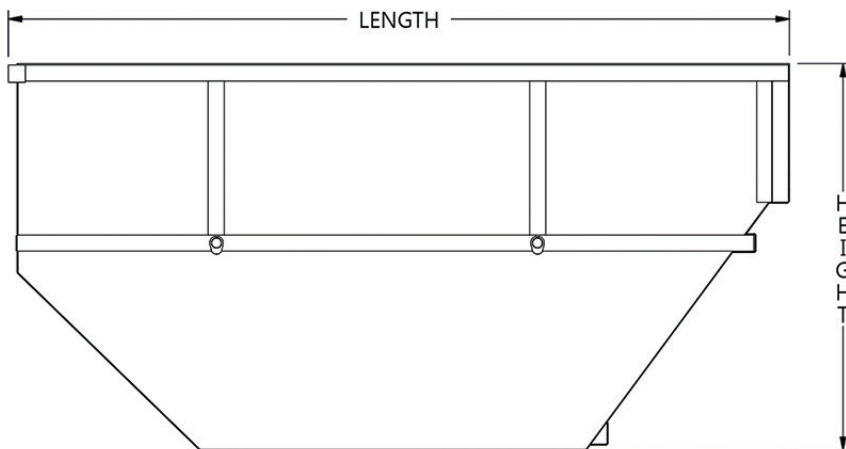


Universal Lugger Containers are designed and engineered to handle disposable bulk materials for plant maintenance or material recycling.

Universal Handling Equipment's Lugger Container

Specifications

High Back Model					
Size	Height	Length	Inside Width	Outside Width	Weight
UH6	40"	127"	64"	74"	1,169lbs
UH8	54"	138"	64"	74"	1,646lbs
UH10	64"	144"	64"	74"	2,010lbs
UH12	72"	144"	64"	74"	2,110lbs
UH14	84"	156"	64"	74"	2,463lbs
UH14-LowPro	72"	184 1/2"	64"	74"	2,486lbs
UH16	84"	171"	64"	74"	2,629lbs
UH16-LowPro	72"	204 1/2"	64"	74"	2,736lbs
UH20	88"	204 1/2"	64"	74"	3,160lbs



Included On All

Walls: 3/16" Plate
 Floors: 3/16" Plate
 Reinforcing Members: 3" Structural Channel
 Lugs: Heavy Duty Thru Channel and Welded
 Dump Lip: Extra Reinforced and Gusseted

The basic shell is constructed of 3/16" plate and is reinforced with 3" channel. Gussets have been engineered into the lip to provide strength and durability against stresses.

Options

Custom Sizes
 Thicker Walls & Floors Available
 Stackable Design
 Also available in Open Back & Tailgate Models



Stackable Design



4024 Charles Street
 Red Deer County
 Alberta, T4S 2B3
 Canada
 Sales: 403.346.1233

1650 Industrial Drive
 Owosso
 Michigan, 48867
 U.S.A.
 Sales: 989.725.1640



8120 Lawson Road, Unit #2
 Milton
 Ontario, L9T 5C4
 Canada
 905.662.3318

Western Canada Toll Free: 1.877.UHE.6163 (1.877.843.6163)
 Eastern Canada Toll Free: 1.877.UHE.1122 (1.877.843.1122)

universalhandling.com