



**UNIVERSAL
HANDLING EQUIPMENT**

Front Loaders

Roll-Off Hoists

Hook-Lifts

Trailers

Luggers

Dump Box

Compactors

▶ **Refuse Containers**

Self Dumping Hopper

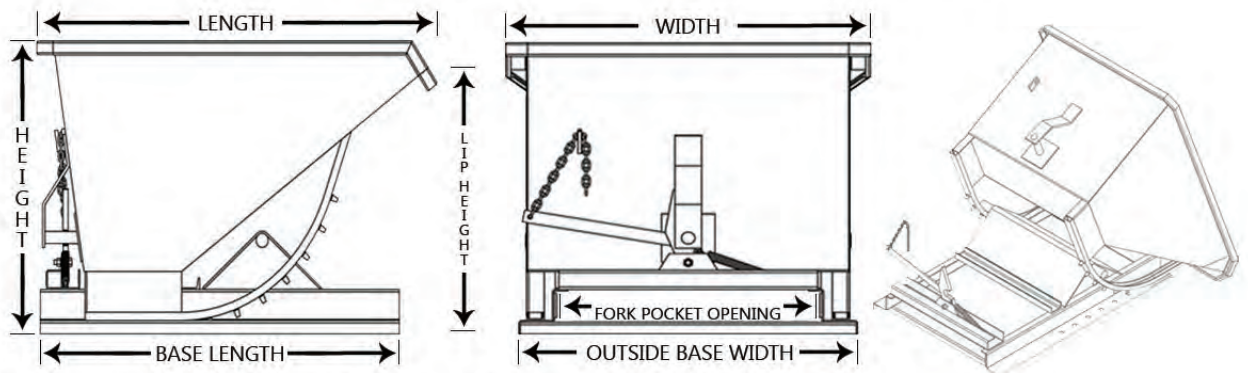


Universal Handling Equipment

Self Dumping Hopper

Specifications

SELF DUMPING HOPPER OVERALL DIMENSIONS						
MODEL	WIDTH	LENGTH	HEIGHT	BASE LENGTH	LIP HEIGHT	WEIGHT (10 GA)
0.5 Cu. Yd.	41"	46.25"	32"	46"	27.25"	400 lbs
0.75 Cu. Yd.	41"	59"	36"	52"	32.25"	455 lbs
1 Cu. Yd.	41"	63.75"	42.5"	54"	37.5"	515 lbs
1.5 Cu. Yd.	53"	63.75"	42.5"	54"	37.5"	610 lbs
2 Cu. Yd.	65"	63.75"	42.5"	54"	37.5"	700 lbs
3 Cu. Yd.	65"	75"	56"	64"	53.25"	900 lbs
4 Cu. Yd.	65"	75"	63.5"	68"	60"	1,080 lbs
OUTSIDE BASE WIDTH - 38 ³ / ₈ "						
FORK POCKET OPENING - 29 ⁷ / ₈ "						



Options

Tub available in either 10 Gauge, 3/16" or 1/4" Plate Construction

6" or 8" Casters

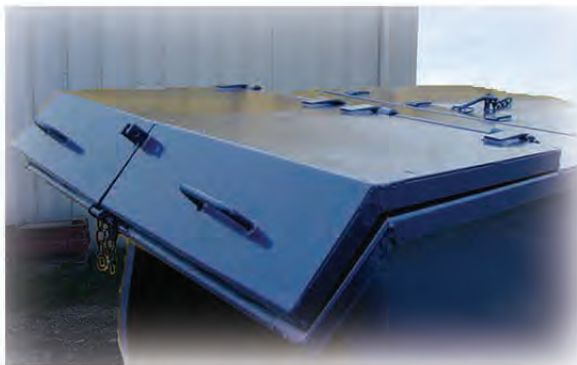
Spring Loaded Metal Lids

Plastic Lids

Safety Chain For Securing To Fork-Lift

Drain Hole c/w Plug

Side Pick Up



4024 Charles Street
Red Deer County
Alberta, T4S 2B3
Canada
Sales: 403.346.1233

1650 Industrial Drive
Owosso
Michigan, 48867
U.S.A.
Sales: 989.720.1650



8120 Lawson Road, Unit #2
Milton
Ontario, L9T 5C4
Canada
905.662.3318

Western Canada Toll Free: 1.877.UHE.6163 (1.877.843.6163)
Eastern Canada Toll Free: 1.877.UHE.1122 (1.877.843.1122)

universalhandling.com