

THIS DRAWING IS THE SOLE PROPERTY OF UNIVERSAL HANDLING EQUIPMENT COMPANY LIMITED. REPRODUCTION IN WHOLE OR IN PART IS STRICTLY PROHIBITED WITHOUT OUR WRITTEN CONSENT

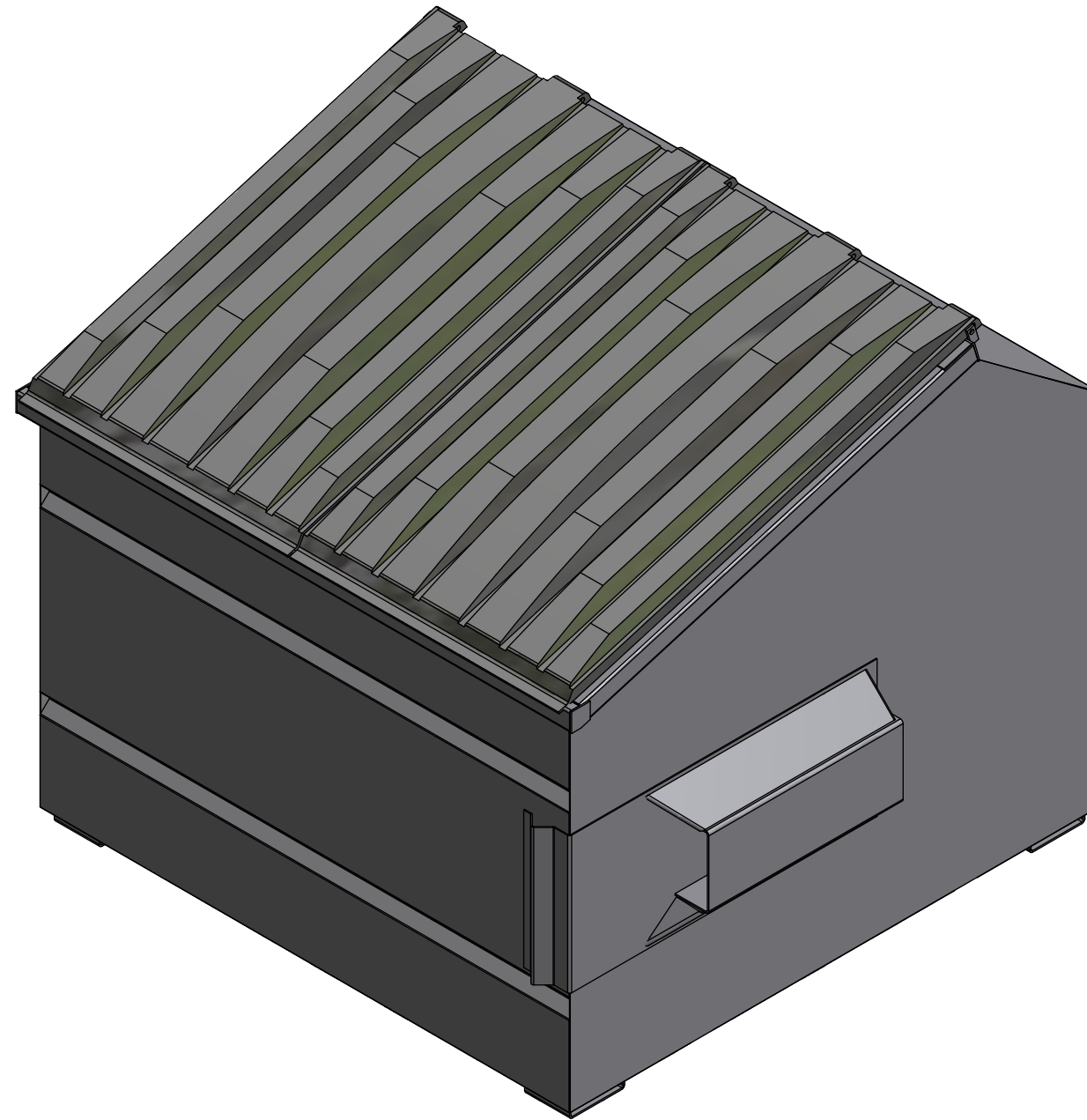
UNLESS OTHERWISE SPECIFIED DIMENSIONS ARE IN INCHES AND TOLERANCES ARE:  
 FRAC .XXX ANGLE  
 ± 1/32 ± .005 ± 1/2°

REV	DESCRIPTION	DATE	BY



# UNIVERSAL HANDLING EQUIPMENT

6 YD F.E.L. PLASTIC LIDS			Sheet 1 of 2	
DESIGN: TWW	11/29/2006	DWG. NO.	REV	
DWG: TWW	11/29/2006	SCALE: 1/16	SLBN-G0015	0



THIS DRAWING IS THE SOLE  
PROPERTY OF UNIVERSAL HANDLING  
EQUIPMENT COMPANY LIMITED.  
REPRODUCTION IN WHOLE OR IN  
PART IS STRICTLY PROHIBITED  
WITHOUT OUR WRITTEN CONSENT

UNLESS OTHERWISE  
SPECIFIED DIMENSIONS  
ARE IN INCHES  
AND TOLERANCES ARE:

FRAC	.XXX	ANGLE
± 1/32	± .005	± 1/2°

REV	DESCRIPTION	DATE	BY



**UNIVERSAL HANDLING EQUIPMENT**

6 YD F.E.L. PLASTIC LIDS			Sheet 2 of 2	
DESIGN:	TWW	11/29/2006	DWG. NO.	REV
DWG:	TWW	11/29/2006	SLBN-G0015	0
SCALE:				